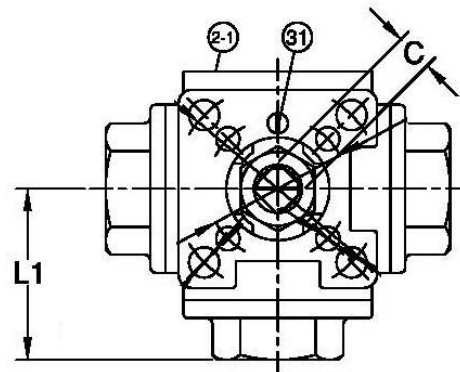
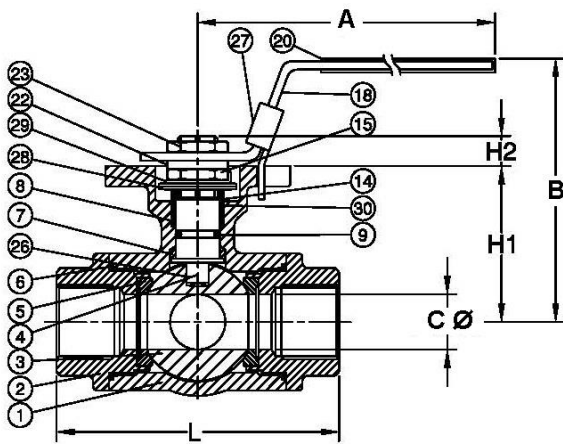


| | |
|-------------------------|--|
| Housing | Stainless steel 1.4408 |
| Hand lever | Stainless steel 1.4301, with plastic coating |
| Ball | Stainless steel 1.4401 |
| Ball seal | RTFE (15 % glass fibre reinforced PTFE) |
| Stem seal | RTFE (15 % glass fibre reinforced PTFE) |
| Operating temperature | -20 °C to 180 °C |
| Operating pressure max. | 63 bar (dependent on temperature) |
| Standard thread | G-thread acc. to DIN EN ISO 228-1 |



11081 D-ES



3-way ball valves, L-bore

| Art. No. | Type No. | Thread | DN | L | A | B | H1 | H2 | C Ø | L1 | C |
|----------|------------|---------|----|-------|-------|-------|------|------|------|------|------|
| | | | | mm | mm | mm | mm | mm | mm | mm | mm |
| 135920 | 11081 A-ES | G 1/4 | 8 | 75.7 | 112.0 | 77.5 | 38.2 | 9.0 | 11.0 | 37.3 | 9.0 |
| 135921 | 11081 B-ES | G 3/8 | 10 | 75.7 | 112.0 | 77.5 | 38.2 | 9.0 | 11.0 | 37.3 | 9.0 |
| 135922 | 11081 C-ES | G 1/2 | 15 | 75.7 | 112.0 | 77.5 | 38.2 | 9.0 | 12.7 | 37.3 | 9.0 |
| 135923 | 11081 D-ES | G 3/4 | 20 | 86.6 | 112.0 | 82.0 | 45.2 | 9.0 | 16.0 | 44.7 | 9.0 |
| 135924 | 11081 E-ES | G 1 | 25 | 102.4 | 136.5 | 93.7 | 56.5 | 11.0 | 20.0 | 51.4 | 11.0 |
| 135925 | 11081 F-ES | G 1 1/4 | 32 | 118.2 | 188.0 | 101.1 | 61.9 | 11.0 | 25.0 | 57.7 | 11.0 |
| 135926 | 11081 G-ES | G 1 1/2 | 40 | 125.8 | 197.5 | 120.3 | 78.3 | 14.3 | 32.0 | 62.7 | 14.0 |
| 135927 | 11081 H-ES | G 2 | 50 | 149.0 | 197.5 | 129.9 | 87.4 | 14.0 | 38.1 | 74.6 | 14.0 |

3-way ball valves, T-bore

| Art. No. | Type No. | Thread | DN | L | A | B | H1 | H2 | C Ø | L1 | C |
|----------|------------|---------|----|-------|-------|-------|------|------|------|------|------|
| | | | | mm | mm | mm | mm | mm | mm | mm | mm |
| 135928 | 11082 A-ES | G 1/4 | 8 | 75.7 | 112.0 | 77.5 | 38.2 | 9.0 | 11.0 | 37.3 | 9.0 |
| 135929 | 11082 B-ES | G 3/8 | 10 | 75.7 | 112.0 | 77.5 | 38.2 | 9.0 | 11.0 | 37.3 | 9.0 |
| 135930 | 11082 C-ES | G 1/2 | 15 | 75.7 | 112.0 | 77.5 | 38.2 | 9.0 | 12.7 | 37.3 | 9.0 |
| 135931 | 11082 D-ES | G 3/4 | 20 | 86.6 | 112.0 | 82.0 | 45.2 | 9.0 | 16.0 | 44.7 | 9.0 |
| 135932 | 11082 E-ES | G 1 | 25 | 102.4 | 136.5 | 93.7 | 56.5 | 11.0 | 20.0 | 51.4 | 11.0 |
| 135933 | 11082 F-ES | G 1 1/4 | 32 | 118.2 | 188.0 | 101.1 | 61.9 | 11.0 | 25.0 | 57.7 | 11.0 |
| 135934 | 11082 G-ES | G 1 1/2 | 40 | 125.8 | 197.5 | 120.3 | 78.3 | 14.3 | 32.0 | 62.7 | 14.0 |
| 135935 | 11082 H-ES | G 2 | 50 | 149.0 | 197.5 | 129.9 | 87.4 | 14.0 | 38.1 | 74.6 | 14.0 |